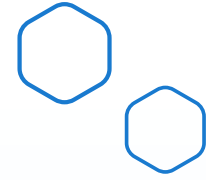




HPN TANKS BROCHURE

www.aquanomics.co.in

About the Product



A hydro-pneumatic tank is an essential component of a water supply system that utilizes pressure to provide consistent water flow and pressure to your plumbing fixtures. It is a specialized tank that stores water under pressure and utilizes compressed air to maintain a constant pressure level.

The tank works by using compressed air to push the water out of the tank and into your home's plumbing system. When water is drawn from the tank, the pressure in the tank decreases, and the compressed air forces more water into the tank to keep the pressure constant. This cycle repeats every time you use water in your home, ensuring a consistent water flow and pressure.

Hydro-pneumatic tanks are commonly used in residential and commercial water supply systems, and they come in various sizes, shapes, and capacities to suit different applications. The tanks are typically made of steel or other durable materials that can withstand high pressures and prolonged use.

Benefits

- **Consistent Water Pressure:** The tank helps maintain constant water pressure, so you can enjoy consistent water flow and pressure throughout your home.
- **Reduced Energy Consumption:** Using a hydro-pneumatic tank can help reduce energy consumption by reducing the frequency of pump start-up, resulting in lower electricity bills.
- **Longer Pump Life:** The tank can help prolong the life of your water pump by reducing the frequency of pump start-up and minimizing the wear and tear on the pump.
- **Increased Water Storage:** The HPN tank can store more water than a traditional storage tank, ensuring a steady supply of water during peak usage periods.
- **Improved Water Quality:** The tank can help prevent water contamination by reducing the frequency of pump start-up and minimizing the potential for backflow.

Overall, a hydro-pneumatic tank is an excellent investment in any water supply system, providing consistent water flow and pressure, energy savings, and improved water quality.

Benefits

- Replaceable EPDM bladder
- 6 Bar to 40 bar pressure rating
- Working temperature -10 Degrees to +99 Degree Celsius
- Galvanized carbon steel counter flange
- Corrosion-resistant powder coating

Index

01

AQA Series

02

AQU Series

03

AQD Series

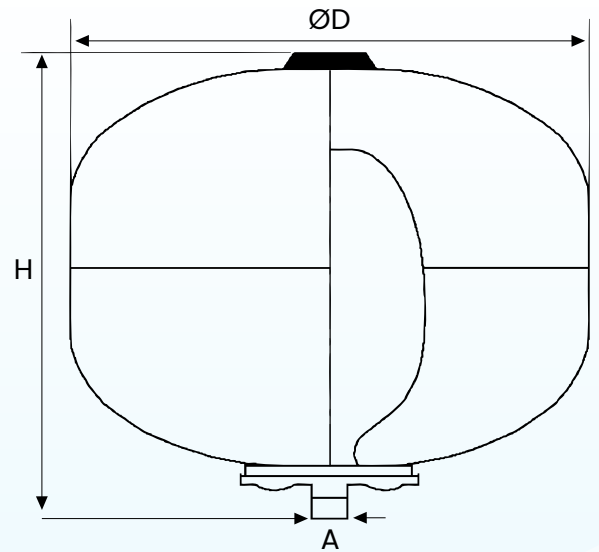
04

AQY Series

05

Accessories

AQA Series



Model	Volume (L)	Maximum Working Pressure	Diameter (mm)	Height (mm)	Connection Size	Membrane	Working Temperature
AQA 24/8	24	8 Bar	350	355	1"	EPDM	-10°C ~ + 99°C
AQA 24/16	24	16 Bar	350	355	1"	EPDM	-10°C ~ + 99°C
AQA 24/25	24	25 Bar	350	355	1"	EPDM	-10°C ~ + 99°C

Standard Features

- Galvanized carbon steel counter flange (only for 8 bar)
- Specially designed counter flange without welding (only for 8 bar)
- Replaceable EPDM membrane
- 2 – 4 bar pre-charge pressure
- Corrosion resistance powder coating

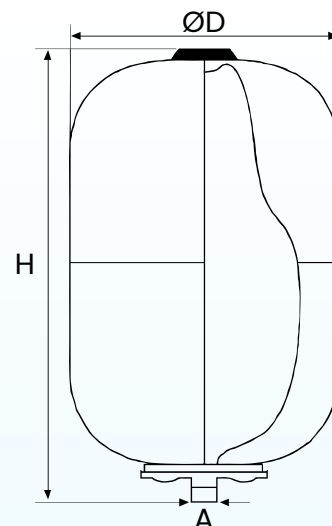
Available Features on Request

- Different colour
- Different connection sizes
- Stainless Steel counter flange
- Working temperature up to +110°C (peak)



Specially designed counter flange without welding

AQU Series



Model	Volume (L)	Maximum Working Pressure	Diameter (mm)	Height (mm)	Connection Size	Membrane	Working Temperature
AQU 8/16	8	16 Bar	220	300	1/2"	EPDM	-10°C ~ +99°C
AQU 12/16	12	16 Bar	220	340	1/2"	EPDM	-10°C ~ +99°C
AQU 16/16	16	16 Bar	270	350	1"	EPDM	-10°C ~ +99°C
AQU 20/16	20	16 Bar	270	415	1"	EPDM	-10°C ~ +99°C
AQU 24/16	24	16 Bar	270	520	1"	EPDM	-10°C ~ +99°C
AQU 35/16	35	16 Bar	380	410	1"	EPDM	-10°C ~ +99°C
AQU 50/16	50	16 Bar	380	575	1"	EPDM	-10°C ~ +99°C

Model	Volume (L)	Maximum Working Pressure	Diameter (mm)	Height (mm)	Connection Size	Membrane	Working Temperature
AQU 8/25	8	25 Bar	220	300	1/2"	EPDM	-10°C ~ +99°C
AQU 12/25	12	25 Bar	220	340	1/2"	EPDM	-10°C ~ +99°C
AQU 16/25	16	25 Bar	270	350	1"	EPDM	-10°C ~ +99°C
AQU 20/25	20	25 Bar	270	415	1"	EPDM	-10°C ~ +99°C
AQU 24/25	24	25 Bar	270	520	1"	EPDM	-10°C ~ +99°C
AQU 35/25	35	25 Bar	380	410	1"	EPDM	-10°C ~ +99°C
AQU 50/25	50	25 Bar	380	575	1"	EPDM	-10°C ~ +99°C

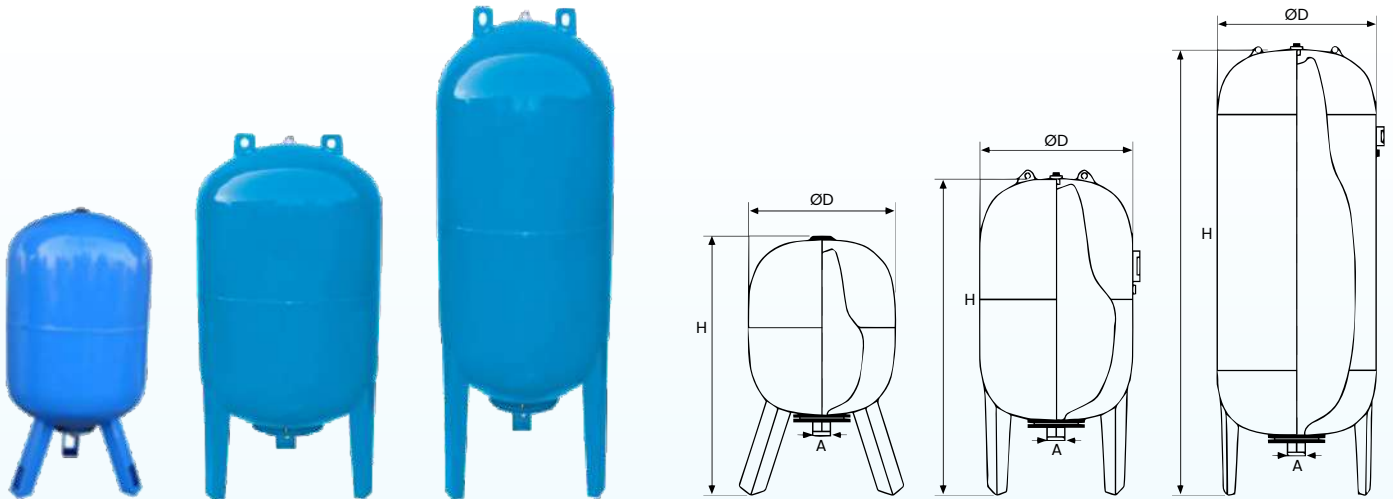
Standard Features

- Powder-coated carbon steel flange
- Replaceable EPDM membrane
- 4 bar pre-charge pressure
- Corrosion resistance powder coating

Available Features on Request

- Different colour
- Different connection sizes
- Stainless Steel counter flange
- Working temperature up to +110°C (peak)

AQD Series



Model	Volume (L)	Maximum Working Pressure	Diameter (mm)	Height (mm)	Connection Size	Membrane	Working Temperature
AQD 35/10	35	10 Bar	380	620	1"	EPDM	-10°C ~ +99°C
AQD 50/10	50	10 Bar	380	745	1"	EPDM	-10°C ~ +99°C
AQD 60/10	60	10 Bar	380	870	1"	EPDM	-10°C ~ +99°C
AQD 80/10	80	10 Bar	470	760	1"	EPDM	-10°C ~ +99°C
AQD 100/10	100	10 Bar	470	870	1"	EPDM	-10°C ~ +99°C
AQD 100/10	100	10 Bar	470	900	1"	EPDM	-10°C ~ +99°C
AQD 150/10	150	10 Bar	640	970	1"	EPDM	-10°C ~ +99°C
AQD 200/10	200	10 Bar	640	1080	1"	EPDM	-10°C ~ +99°C
AQD 300/10	300	10 Bar	640	1240	1 1/2"	EPDM	-10°C ~ +99°C
AQD 500/10	500	10 Bar	800	1400	1 1/2"	EPDM	-10°C ~ +99°C
AQD 750/10	750	10 Bar	800	1700	2"	EPDM	-10°C ~ +99°C
AQD 1000/10	1000	10 Bar	800	2200	2"	EPDM	-10°C ~ +99°C
AQD 1500/10	1500	10 Bar	960	2450	2"	EPDM	-10°C ~ +99°C
AQD 2000/10	2000	10 Bar	1100	2600	2"	EPDM	-10°C ~ +99°C
AQD 2500/10	2500	10 Bar	1100	2800	2"	EPDM	-10°C ~ +99°C
AQD 3000/10	3000	10 Bar	1200	2850	2 1/2"	EPDM	-10°C ~ +99°C
AQD 4000/10	4000	10 Bar	1450	3100	3"	EPDM	-10°C ~ +99°C
AQD 5000/10	5000	10 Bar	1450	3100	3"	EPDM	-10°C ~ +99°C

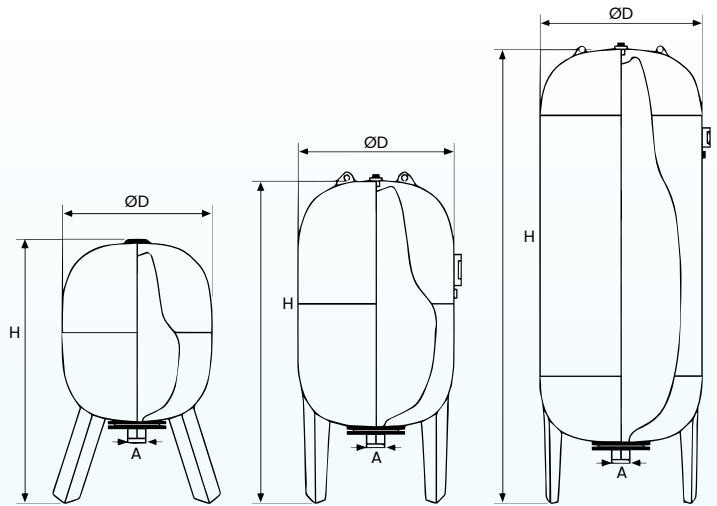
Standard Features

- Galvanized carbon steel counter flange up to 200 liter
- Replaceable EPDM membrane
- Powder-coated carbon steel flange between 300 ~ 5000 liter
- Corrosion resistance powder coating
- Specially designed counter flange without welding between 35 ~ 200 liter
- 4 bar pre-charge pressure (2 bar for TD 35/10 and TD 50/10)

Available Features on Request

- Different colour
- Different connection sizes
- Stainless Steel counter flange
- Working temperature up to +110°C (peak)

AQD Series



Model	Volume (L)	Maximum Working Pressure	Diameter (mm)	Height (mm)	Connection Size	Membrane	Working Temperature
AQD 50/16	50	16 Bar	380	745	1"	EPDM	-10°C ~ +99°C
AQD 60/16	60	16 Bar	380	870	1"	EPDM	-10°C ~ +99°C
AQD 80/16	80	16 Bar	470	760	1"	EPDM	-10°C ~ +99°C
AQD 100/16	100	16 Bar	470	900	1"	EPDM	-10°C ~ +99°C
AQD 150/16	150	16 Bar	640	970	1"	EPDM	-10°C ~ +99°C
AQD 200/16	200	16 Bar	640	1080		EPDM	-10°C ~ +99°C
AQD 300/16	300	16 Bar	640	1240	1 1/2"	EPDM	-10°C ~ +99°C
AQD 500/16	500	16 Bar	800	1400	1 1/2"	EPDM	-10°C ~ +99°C
AQD 750/16	750	16 Bar	800	1700	2"	EPDM	-10°C ~ +99°C
AQD 1000/16	1000	16 Bar	800	2200	2"	EPDM	-10°C ~ +99°C
AQD 1500/16	1500	16 Bar	960	2450	2"	EPDM	-10°C ~ +99°C
AQD 2000/16	2000	16 Bar	1100	2600	2"	EPDM	-10°C ~ +99°C

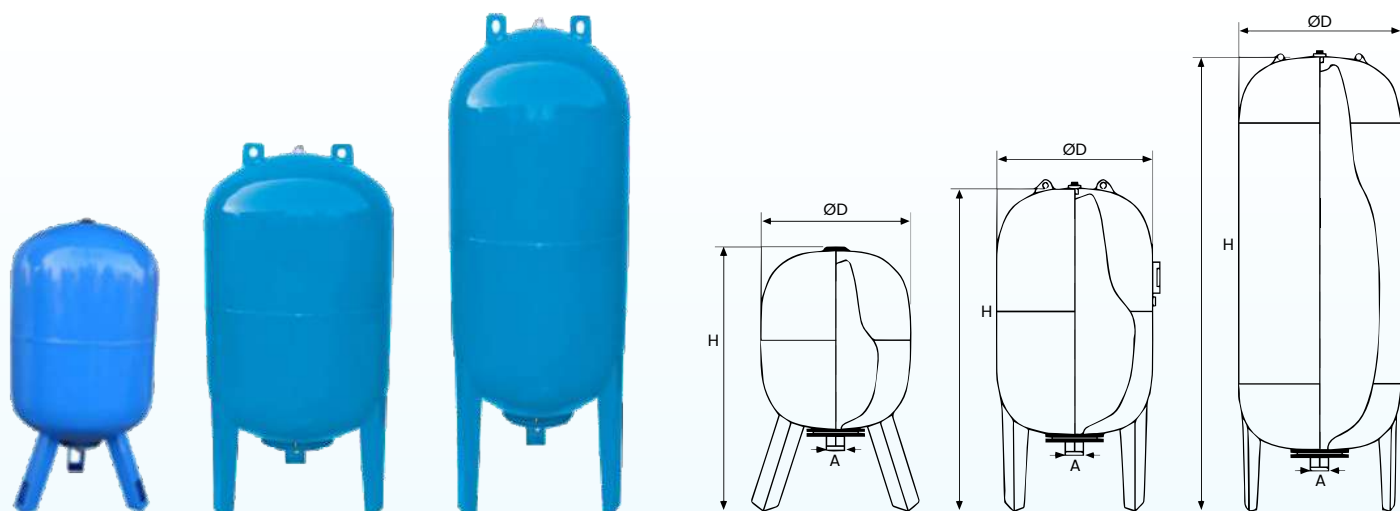
Standard Features

- Powder-coated carbon steel flange
- Replaceable EPDM membrane
- 4 bar pre-charge pressure
- Corrosion resistance powder coating

Available Features on Request

- Pressure Gauge
- Different colour
- Different connection sizes
- Stainless Steel counter flange
- Working temperature up to +110°C (peak)

AQU Series



Model	Volume (L)	Maximum Working Pressure	Diameter (mm)	Height (mm)	Connection Size	Membrane	Working Temperature
AQD 100/25	100	25 Bar	470	900	1"	EPDM	-10°C ~ +99°C
AQD 150/25	150	25 Bar	640	970	1"	EPDM	-10°C ~ +99°C
AQD 200/25	200	25 Bar	640	1080	1"	EPDM	-10°C ~ +99°C
AQD 300/25	300	25 Bar	640	1240	1 1/2"	EPDM	-10°C ~ +99°C
AQD 500/25	500	25 Bar	800	1400	1 1/2"	EPDM	-10°C ~ +99°C
AQD 750/25	750	25 Bar	800	1700	2"	EPDM	-10°C ~ +99°C
AQD 1000/25	1000	25 Bar	800	2200	2"	EPDM	-10°C ~ +99°C

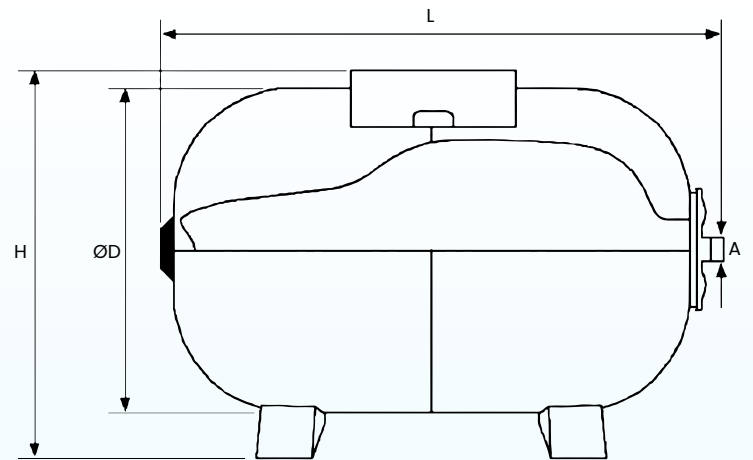
Standard Features

- Powder-coated carbon steel flange
- Replaceable EPDM membrane
- 4 bar pre-charge pressure
- Corrosion resistance powder coating

Available Features on Request

- Pressure Gauge
- Different colour
- Different connection sizes
- Stainless Steel counter flange
- Working temperature up to +110°C (peak)

AQY Series



Model	Volume (L)	Maximum Working Pressure	Width (mm)	Length (mm)	Height (mm)	Connection Size	Membrane	Working Temperature
AQY 24/16	24	16 Bar	270	510	310	1"	EPDM	-10°C ~ +99°C
AQY 50/16	50	16 Bar	380	550	410	1"	EPDM	-10°C ~ +99°C
AQY 60/16	60	16 Bar	380	660	410	1"	EPDM	-10°C ~ +99°C
AQY 80/16	80	16 Bar	470	650	510	1"	EPDM	-10°C ~ +99°C
AQY 100/16	100	16 Bar	470	710	510	1"	EPDM	-10°C ~ +99°C

Model	Volume (L)	Maximum Working Pressure	Width (mm)	Length (mm)	Height (mm)	Connection Size	Membrane	Working Temperature
AQY 24/25	24	25 Bar	270	510	310	1"	EPDM	-10°C ~ +99°C
AQY 50/25	50	25 Bar	380	550	410	1"	EPDM	-10°C ~ +99°C
AQY 100/25	60	25 Bar	470	710	510	1"	EPDM	-10°C ~ +99°C

Standard Features

- Galvanized carbon steel counter flange
- Specially designed counter flange without welding
- Replaceable EPDM membrane
- 4 bar pre-charge pressure
- Corrosion resistance powder coating

Available Features on Request

- Different colour
- Different connection sizes
- Stainless Steel counter flange
- Working temperature up to +110°C (peak)

Accessories



AQPV 10
Precharge Valve



AQMFG 200
Membrane Fixing Rod



AQMFB 35
Membrane Fixing Rod



AQCF 02
Counter Flange



AQCF 03
Counter Flange



AQMFG 30
Membrane Fixing Rod

6/ 8/ 10 Bar

Model	Description
AQCF 01	1/2" Counter Flange (for 2~12 liter tanks)
AQCF 02	1" Counter Flange without welding (for 16~12 liter tanks)
AQCF 03	1 1/2" Counter Flange (for 300 - 500 liter tanks)
AQCF 07	2" Counter Flange (for 750 - 1000 liter tanks)
AQCF 09	2" Counter Flange (for 1500 - 2000 liter tanks)
AQMFB 35	Membrane Fixing Rod - 3/4" (Brass)
AQMFG 30	Membrane Fixing Rod - 3/4" (Galvanized)
AQMFG 200	Membrane Fixing Rod Long - 3/4" (Galvanized)
AQPV 10	Precharge Valve

16 Bar

Model	Description
AQCF 04	1/2" Counter Flange (for 2~12 liter tanks)
AQCF 05	1" Counter Flange without welding (for 16~150 liter tanks)
AQCF 08	1 1/2" Counter Flange (for 200 - 500 liter tanks)
AQCF 07	2" Counter Flange (for 750 - 1000 liter tanks)
AQCF 09	2" Counter Flange (for 1500 - 2000 liter tanks)
AQMFB 35	Membrane Fixing Rod - 3/4" (Brass)
AQMFG 30	Membrane Fixing Rod - 3/4" (Galvanized)
AQMFG 200	Membrane Fixing Rod Long - 3/4" (Galvanized)
AQPV 10	Precharge Valve

Accessories



8/12



19/24



35/50



80/100 - 100/150 - 150/200 -
200/300 - 500/750



750/1000
1000/1500

Volume (L)	Maximum Working Pressure	Type	Connection Diameter (mm)	Length (mm)
2/3'	25 Bar	Bag Type	45	135
5/8'	25 Bar	Bag Type	45	155
8/12'	25 Bar	Bag Type	45	200
19/24	25 Bar	Bag Type	80	260
35/50	25 Bar	Bag Type	80	335
80/100	25 Bar	Double Volume - Without Hole	80	630
80/100	25 Bar	Double Volume - With Hole	80	630
100/150	25 Bar	Double Volume - With Hole	80	730
150/200	25 Bar	Double Volume - With Hole	80	810
150/250	25 Bar	Double Volume - With Hole	80	960
200/300	25 Bar	Double Volume - With Hole	148	1000
500/750	25 Bar	Double Volume - With Hole	148	1350
750/1000	25 Bar	Double Volume - Hooded	148	1850
1000/1500	25 Bar	Double Volume - Hooded	200	2100
2000	25 Bar	Double Volume - Hooded	200	2200



@aquanomicsltd



@aquanomicsltd



@aquanomicsltd



@aquanomicsltd

CONTACT US

Corporate Office

B-2, 3rd Floor, Greater Kailash
Enclave-II, New Delhi-110048, India

Phone: +91-11-41435945/46

Fax: +91-11-41435965

Mail: info@aquanomics.net

Registered Office

"Ellora Fiesta", Office No. 605, Plot No. 8, Sector-11,
Sanpada Near Juinagar Railway Station, Navi-Mumbai
- 400705, Maharashtra, India.

Phone: +91-22-27759467/68/69

Website: www.aquanomics.co.in