



ELECTRONIC DOSING PUMP

www.aquanomics.co.in

Aquanomics Electronic Dosing Pumps

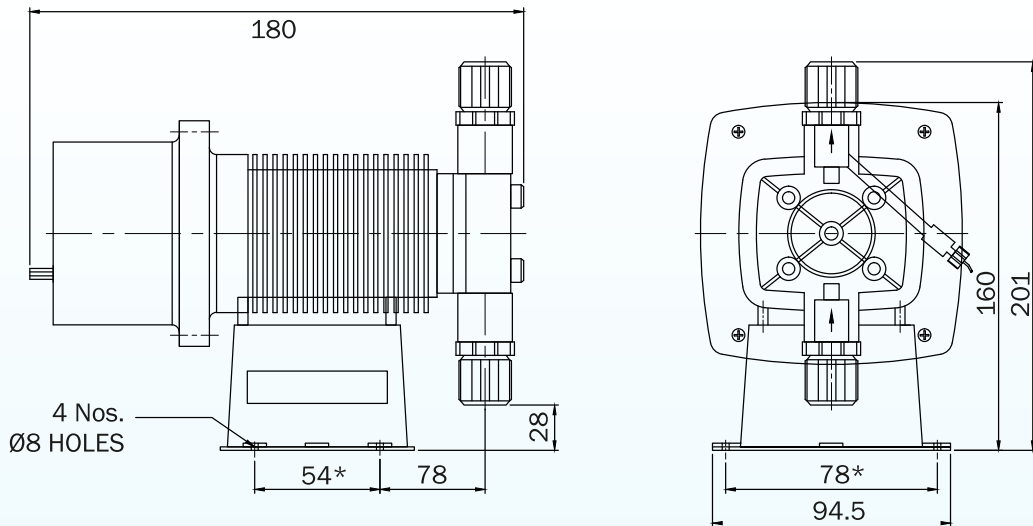


Aquanomics Electronic dosing pumps have been designed with new technology and trouble-free operation which is highly reliable to the customers, cost-effective and compact offering excellent performance in the field. The dosing pump is accurate, automatic, repeatable and has exact compliance with the dosing volume ratio. This energy-saving dosing pump consumes less power and the output can be controlled by adjusting the frequency.

Features

- Splash-proof
- Compact, lightweight and good aesthetics
- Double ball NRV with solid PTFE diaphragm for longer life
- Built-in ARV (Air release valve)
- Time-tested electronics for consistent performance
- Waterproof: IP 65 certified

Technical Dimension



Product Information

Model	AQ-EDP-06	AQ-EDP-10
Capacity	6 lph	10 lph
Maximum Injection Pressure	4 Kg/cm ³	
Power Supply	230 V AC 50hz	
Liquid End	Glass filled Polypropylene	
Valve Ball	Pyrex	
Seals	Viton	
Diaphragm	Solid PTFE diaphragm	
Suction/ Delivery Tubing	4/6 mm LDPE tubing (3 metres length)	
Stroke Frequency	400 stokes per minute Maximum	

Accessories



Injection Check Valve

An injection check valve is a spring-loaded, non-return valve that prevents the water in the pressurized pipeline from returning.



Foot Valve

The foot valve is a non-return valve with a strainer to ensure that any dirt particles in the chemical being dosed are filtered before entering the pump.

*Optional valve seats in Teflon and balls in ceramic



@aquanomicsltd



@aquanomicsltd



@aquanomicsltd



@aquanomicsltd

CONTACT US

Corporate Office

B-2, 3rd Floor, Greater Kailash
Enclave-II, New Delhi-110048, India

Phone: +91-11-41435945/46

Fax: +91-11-41435965

Mail: info@aquanomics.net

Registered Office

"Ellora Fiesta", Office No. 605, Plot No. 8, Sector-11,
Sanpada Near Juinagar Railway Station, Navi-Mumbai
- 400705, Maharashtra, India.

Phone: +91-22-27759467/68/69

Website: www.aquanomics.co.in