



# COMPETITION EQUIPMENT PRESENTATION

FROM DESIGN TO DELIVERY UNDER ONE ROOF



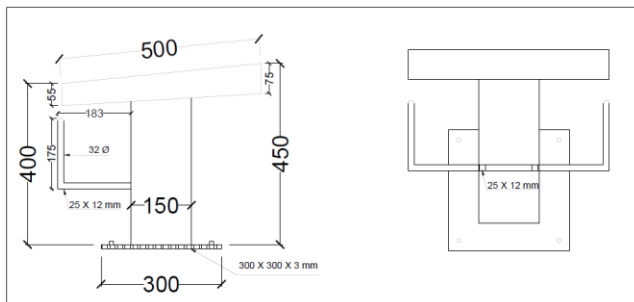
## AQUANOMICS STARTING BLOCKS



**Aquanomics Starting Block** is the new starting block designed by **Aquanomics** in order to facilitate the swimmer's take-off and optimize competitive performance. The platform is designed to provide the athlete with a stable base for the "Track-Start" takeoff.

### Platform Top

- 500 x 500mm non-slip surface Platform top in fibre glass
- MOC SS 304
- No exposed Bolts/Hardware
- Stainless Steel handles enhances fast take-offs & speed
- Available in two Colours. Light Blue & Dark Blue



Platform Top Colour Options



**Corporate office** : B-2, 3<sup>rd</sup> Floor, Greater Kailash Enclave-II, New Delhi-110048, India.  
Tel. Nos.: +91-11-41435945, 46. Fax- +91-11-41435965. Mobile- +91-9350366280.  
**E\_mail-** [info@aquanomics.net](mailto:info@aquanomics.net) **Website-** [www.aquanomics.co.in](http://www.aquanomics.co.in)

**Regional office:** " Ellora Fiesta", Office no-605 ,Plot no-8, Sector-11, Sanpada, Near Juinagar railway station, Navi Mumbai, Maharashtra.-400705.  
Tel. Nos. : 022-27759471, 27759473, 27759467, 27759468, 27759469

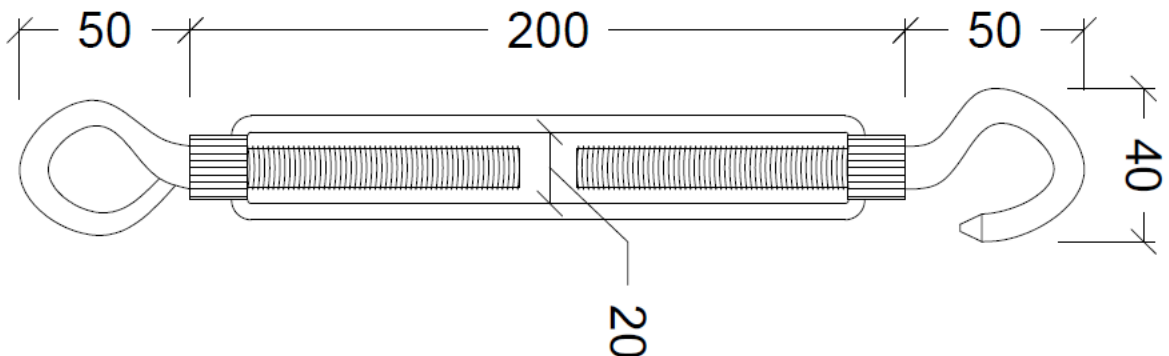


## AQUANOMICS LANE ROPE ANCHOR ADJUSTABLE HOOK



### Specifications

- MOC – SS 304
- With the help of adjustable hook, we can tie and loose the line rope.



**Corporate office :** B-2, 3<sup>rd</sup> Floor, Greater Kailash Enclave-II, New Delhi-110048, India.  
Tel. Nos.: +91-11-41435945, 46. Fax- +91-11-41435965. Mobile- +91-9350366280.  
**E\_mail-** [info@aquanomics.net](mailto:info@aquanomics.net) **Website-** [www.aquanomics.co.in](http://www.aquanomics.co.in)

**Regional office:** " Ellora Fiesta", Office no-605 ,Plot no-8, Sector-11, Sanpada, Near Juinagar railway station, Navi Mumbai, Maharashtra.-400705.  
Tel. Nos. : 022-27759471, 27759473, 27759467, 27759468, 27759469

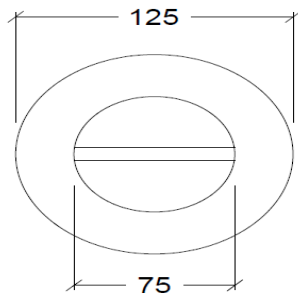


# AQUANOMICS LANE ROPE TUBULOR ANCHOR

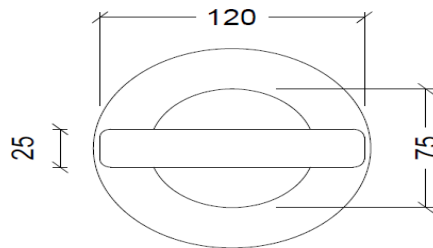


## Specifications

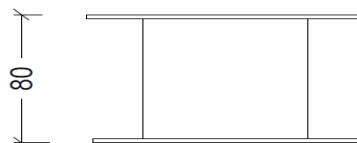
- MOC – SS 304
- This type of lane anchor is set into the wall of the pool to tie the lane ropes .



TOP VIEW



BOTTOM VIEW

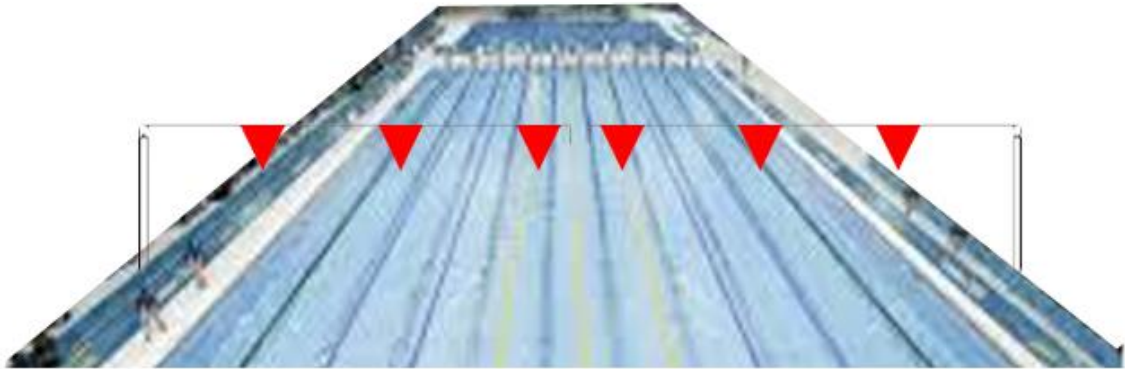


SIDE VIEW

**Corporate office :** B-2, 3<sup>rd</sup> Floor, Greater Kailash Enclave-II, New Delhi-110048, India.  
Tel. Nos.: +91-11-41435945, 46. Fax- +91-11-41435965. Mobile- +91-9350366280.  
**E\_mail-** [info@aquanomics.net](mailto:info@aquanomics.net) **Website-** [www.aquanomics.co.in](http://www.aquanomics.co.in)

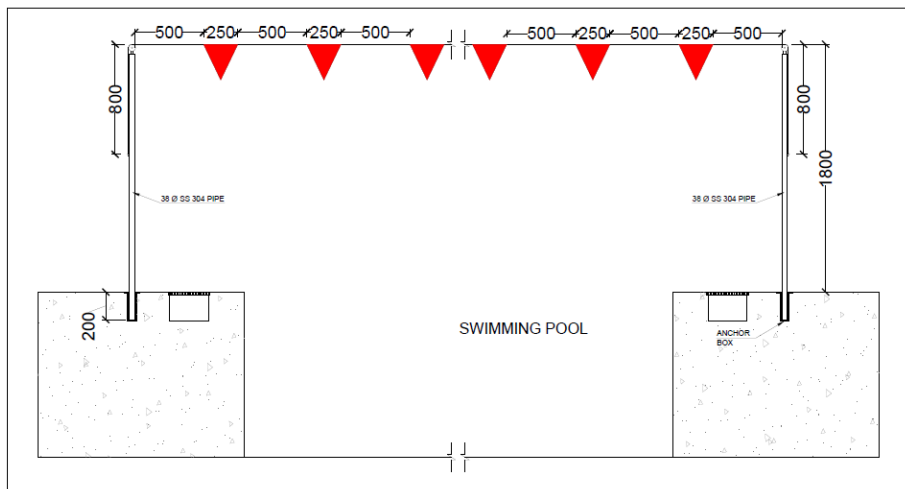
**Regional office:** " Ellora Fiesta", Office no-605 ,Plot no-8, Sector-11, Sanpada, Near Juinagar railway station, Navi Mumbai, Maharashtra.-400705.  
Tel. Nos. : 022-27759471, 27759473, 27759467, 27759468, 27759469

# AQUANOMICS BACK STROKE INDICATOR



## Specifications

- Flagged ropes suspended across the pool
- MOC SS 304
- Adjusted 1.8 metres above the water surface
- Flags fixed on the ropes are of 0.20m

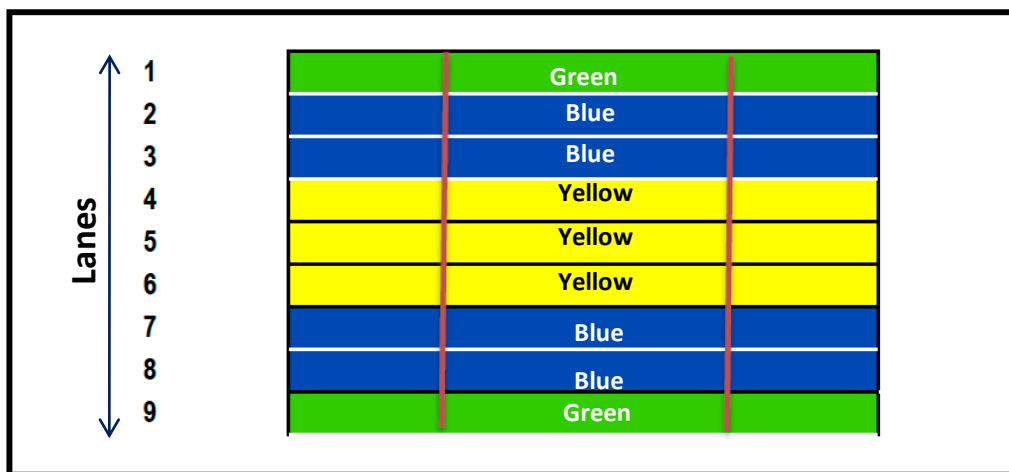


## AQUANOMICS LANE



### Specifications

- Racing lane made of HDPE material
- Anti wave lane rope with PVC coated wire with SS hooks . One lane will have 250 floats & 150 floaters.
- Each lane rope will consist of floats placed end-to-end having a minimum diameter of 0.10 metre to a maximum of 0.15 metre.
- The floats extended for a distance of 5.0 metres from each end of the pool are of RED.
- In a swimming pool the colour of the lane ropes should be as follows



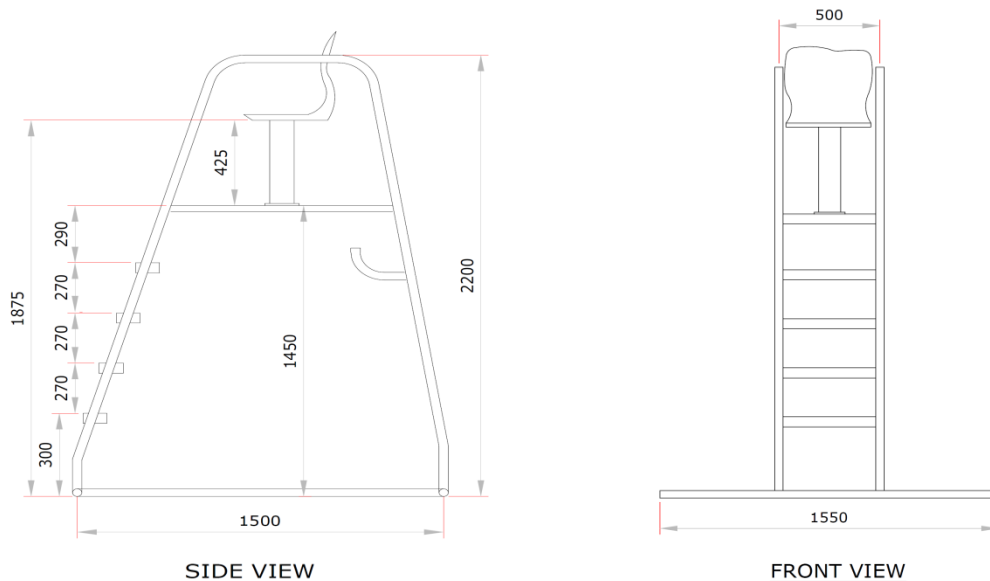


# AQUANOMICS LIFEGUARD CHAIR



## Specifications

- MOC- SS 304
- FRP Platform.
- Glass reinforced polypropylene seat with a height of 1875mm w.r.t total height of 2200mm.

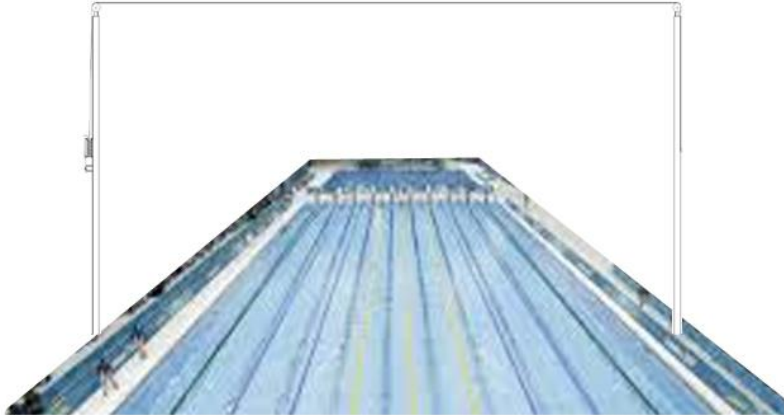


**Corporate office :** B-2, 3<sup>rd</sup> Floor, Greater Kailash Enclave-II, New Delhi-110048, India.  
Tel. Nos.: +91-11-41435945, 46. Fax- +91-11-41435965. Mobile- +91-9350366280.  
**E\_mail-** [info@aquanomics.net](mailto:info@aquanomics.net) **Website-** [www.aquanomics.co.in](http://www.aquanomics.co.in)

**Regional office:** " Ellora Fiesta", Office no-605 ,Plot no-8, Sector-11, Sanpada, Near Juinagar railway station, Navi Mumbai, Maharashtra.-400705.  
Tel. Nos. : 022-27759471, 27759473, 27759467, 27759468, 27759469

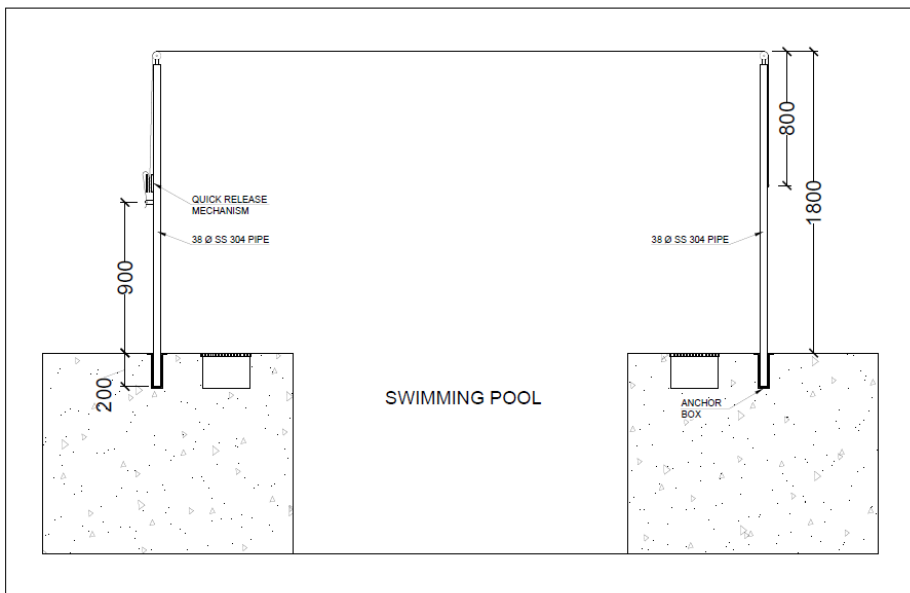


## AQUANOMICS FALSE START ROPE



### Specifications

- The Rope is suspended across the pool not less than 1.2 metres above the water level from fixed standards placed 15.0 metres in front of the starting end.
- The false start rope is attached to the standards by a quick release mechanism. The rope thus effectively cover all lanes when activated



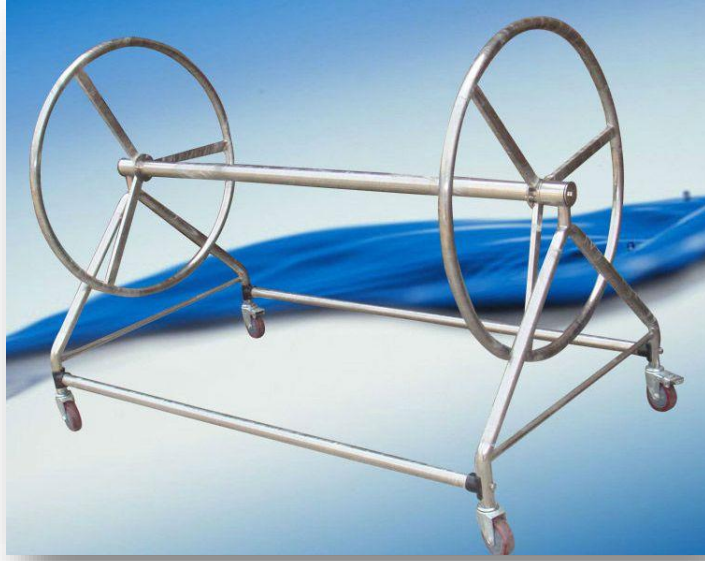
**Corporate office** : B-2, 3<sup>rd</sup> Floor, Greater Kailash Enclave-II, New Delhi-110048, India.  
Tel. Nos.: +91-11-41435945, 46. Fax- +91-11-41435965. Mobile- +91-9350366280.  
**E\_mail-** [info@aquanomics.net](mailto:info@aquanomics.net) **Website-** [www.aquanomics.co.in](http://www.aquanomics.co.in)

**Regional office:** " Ellora Fiesta", Office no-605 ,Plot no-8, Sector-11, Sanpada, Near Juinagar railway station, Navi Mumbai, Maharashtra.-400705.  
Tel. Nos. : 022-27759471, 27759473, 27759467, 27759468, 27759469



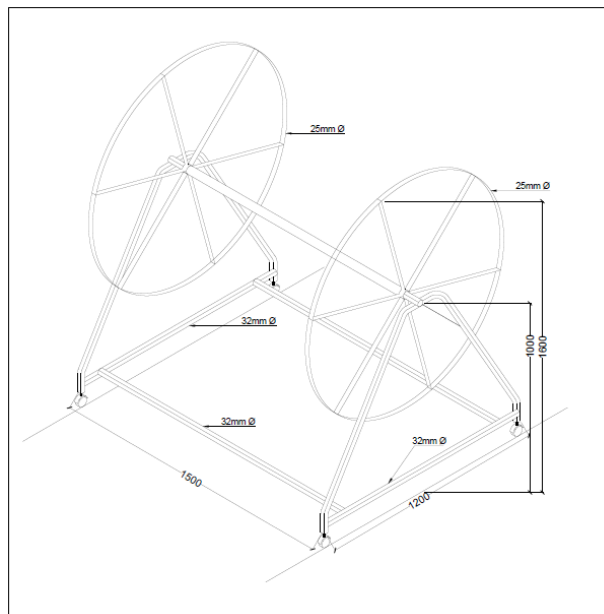


## AQUANOMICS LANE ROLLERS



### Specifications

- MOC- SS 304
- Can Roll Two lanes simultaneously



**Corporate office :** B-2, 3<sup>rd</sup> Floor, Greater Kailash Enclave-II, New Delhi-110048, India.  
Tel. Nos.: +91-11-41435945, 46. Fax- +91-11-41435965. Mobile- +91-9350366280.  
**E\_mail-** [info@aquanomics.net](mailto:info@aquanomics.net) **Website-** [www.aquanomics.co.in](http://www.aquanomics.co.in)

**Regional office:** " Ellora Fiesta", Office no-605 ,Plot no-8, Sector-11, Sanpada, Near Juinagar railway station, Navi Mumbai, Maharashtra.-400705.  
Tel. Nos. : 022-27759471, 27759473, 27759467, 27759468, 27759469



**@aquanomicsltd**



**@aquanomicsltd**



**@aquanomicsltd**



**@aquanomicsltd**

## CONTACT US

### Corporate Office

B-2, 3rd Floor, Greater Kailash  
Enclave-II, New Delhi-110048, India

**Phone:** +91-11-41435945/46

**Fax:** +91-11-41435965

**Mail:** [info@aquanomics.net](mailto:info@aquanomics.net)

### Registered Office

"Elora Fiesta", Office No. 605, Plot No. 8, Sector-11,  
Sanpada Near Juinagar Railway Station, Navi-Mumbai  
- 400705, Maharashtra, India.

**Phone:** +91-22-27759467/68/69

**Website:** [www.aquanomics.co.in](http://www.aquanomics.co.in)